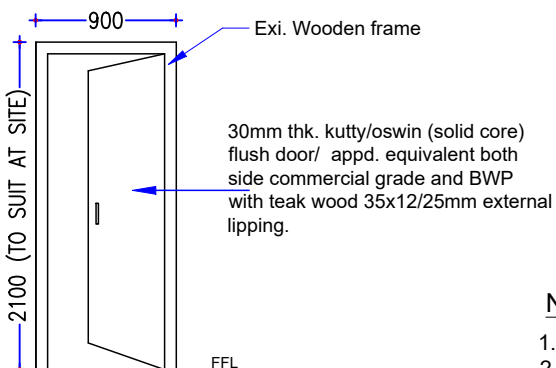


Door Size: 1750x2400mm - D1
Schedule Item no: 33

Furniture Fittings:-

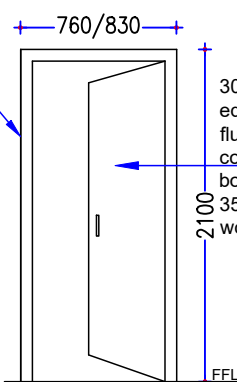
1. M.S.Holdfast 150x50x6mm - 8Nos.
2. 230x12mm long Alu.towerbolt - 2Nos.
3. 150x12mm long Alu.towerbolt - 1No.
4. 150mm long Alu.Hinges with screws - 8Nos.
5. Door bush (Plastic) - 2Nos.
6. 100mm Alu.door stopper with double rod - 2Nos.
7. 250x16mm alu.aldrop bolt with screws - 1No.
8. 150mm long Alu.D-type handle (in/out side)-4Nos.



Door Size: 900x2100mm - D5
Schedule item no: 34

Furniture Fittings:-

1. 125mm long S.S. Screw - 6 nos.
2. 150x12mm long Alu.towerbolt - 1 no.
3. 125mm long Alu.Hinges with screws - 4 nos.
4. Door bush Nylon - 1 no.
5. 250x16mm long alu.aldrop - 1 no.
6. 100mm long alu. D-type handle - 2 nos.

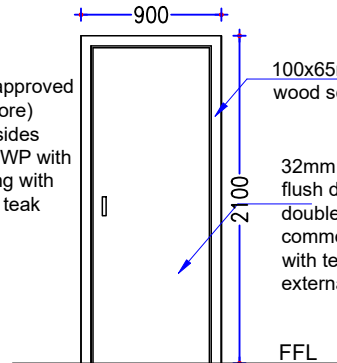


Door Size: 760x2100mm-D2 Schedule item no: 38a
Door Size: 830x2100mm- D3 Schedule item no: 38b

TOILET PVC DOOR

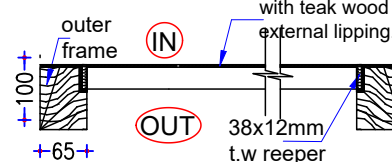
Furniture fittings:-

1. 125mm long S.S. Screw - 8nos.
2. 150x12mm long Alu.tower bolt - 1no.
3. 125mm long Alu.Hinges with screws - 3nos.
4. Door bush (Plastic) - 1no.
5. 250x16mm long alu.aldrop - 1no.
6. 100mm long alu. D-type handle - 2nos.



Leadlined Door - LD
Size: 900 x 2100mm
Schedule Item no: 35

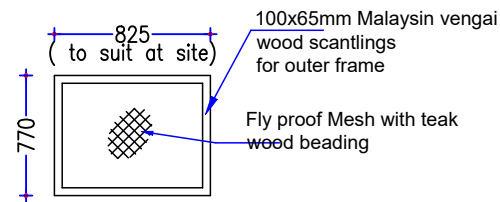
32mm thk.oswin (solid core) flush door / appd. equivalent double shutter both side commercial grade (BWP) with teak wood 38x12mm external lipping.



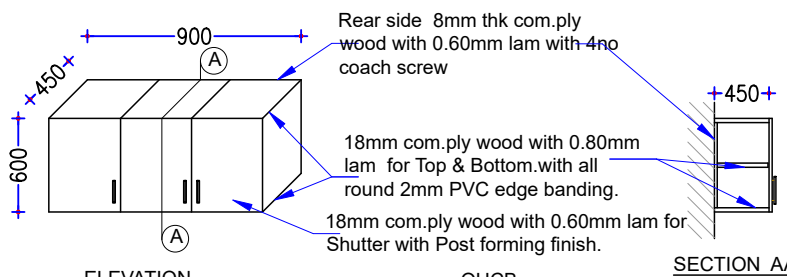
Cross Section of LD

Furniture Fittings:-

1. M.S.Holdfast 150x50x6mm - 6 nos.
2. 125mm long Alu.ISI hinges with screws - 4 nos.
3. 300x16mm long Alu.aldrop - 1 set.
4. 230x12mm long Alu.towerbolt - 1 no.
5. Door bush Nylon - 1 no.
6. 100mm long Alu. D-type handle - 2 nos.
7. 100mm long Alu.door stopper with double rod (heavy type) - 1 no.
8. Door closer (Paid seperately) -1no.



Fixed Grill Ventilator - V3
825x770mm
Schedule Item No



OHCB
SIZE 900 x 450 x 600 - 1No.
Schedule item no: 37(e)

Furniture fittings :

1. SS Clipon Hinges - 6Nos.
2. SS Handle 100mm "D" Type - 3Nos
3. Hafele Lock & Key - 2No.
4. SS Tower Bolt 100mm - 1No.
5. Magnatic Catch - 3Nos.

NOTE:

1. All dimensions are in mm.
2. All fittings are of ISI make. unless otherwise mentioned.
3. All wood are free from knots & whites of first quality
4. 1.5mm planning tolerance on each wrought face is permitted.
5. All sizes mentioned are approximate to suit site conditions and as per actual measurements.
6. All exposed teak wood beadings are to be polished with sheenlac french polishing to a satisfactory finish.
7. Dimensions should be Re-checked at site.
8. Work to figured Dimensions, Do not scale this drawing.
9. Discrepancies if any should be brought to the notice of the engineer.
10. Lead supplied by dept @ free of cost

TENDER PURPOSE ONLY

CHRISTIAN MEDICAL COLLEGE -VELLORE.

MODIFICATION OF EXISTING P1 & P2 LAB TO CATH LAB IN MAIN BUILDING GROUND FLOOR AT CMC TOWN CAMPUS

GROUND FLOOR PLAN (PART) JOINERY DETAILS

CHKD BY: DEVAGI

DATE : 04/06/2024

PLANNING ENGINEER

DRAWN: YAMUNA

DRG.NO: CMC/GF/C/J1